



hoşseven

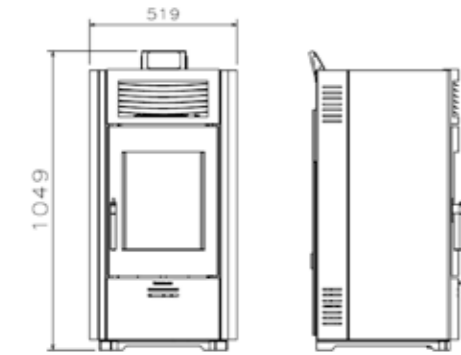




VIOLET

Oval surfaces
Low emissions values
Automatic control system and ignition
Room fan
Blowing hot air
Adjustable room temperature
5 different power levels
Daily and weekly programme

Fuel	Pellet
Nominal Heat Power	6.57 kw
Efficiency	91.42 %
Flue Exit Pipe	Ø 80 mm
Room Fan	Yes



Türkiye



THE ONLY

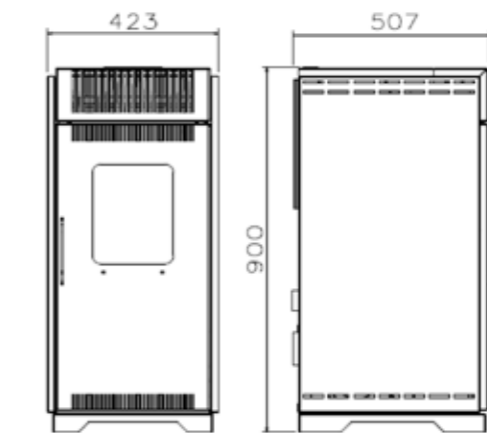
P10



P10

Low emissions values
Automatic control system and ignition
Room fan
Blowing hot air
Adjustable room temperature
5 different power levels
Daily and weekly programme

Fuel	Pellet
Nominal Heat Power	10.06 kw
Efficiency	91.20 %
Flue Exit Pipe	Ø 80 mm
Room Fan	Yes



Ecodesign

Türkiye





P13

Oval surfaces
Low emissions values
Automatic control system and ignition
Room fan
Blowing hot air
Adjustable room temperature
5 different power levels
Daily and weekly programme

Fuel	Pellet
Nominal Heat Power	13.16 kw
Efficiency	89.63 %
Flue Exit Pipe	Ø 80 mm
Room Fan	Yes



Türkiye



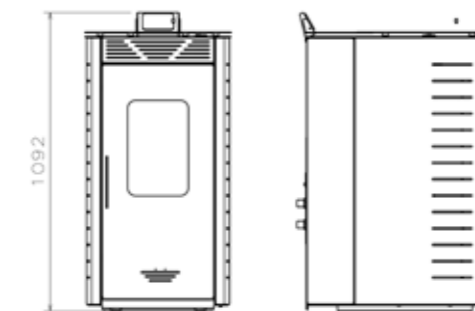
P15



P15

Oval surfaces - Low emissions values - Automatic control system and ignition - Heating with radiators system Adjustable water and room temperature - External room thermostat connection - 5 different power levels Daily and weekly programme - Expansion vessel, pump, thermostat are inside the stove - Installing inside area

Fuel	Pellet
Nominal Heat Power	15.01 kw
Efficiency	90.04 %
Flue Exit Pipe	Ø 80 mm
Radiators Pipe Connection	1"
Boiler Water Volume	25 lt
Operation Water Pressure	1,5 bar
Max Radiator	8 m
Room Fan	Yes



Ecodesign

Türkiye

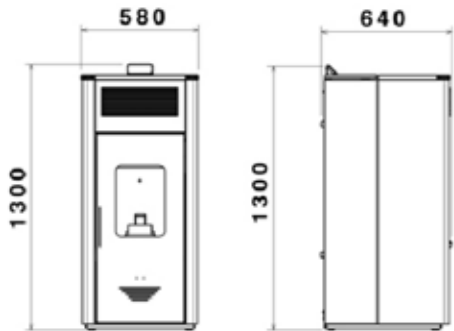




P20 - P25

Low emissions values - Automatic control system and ignition
-Heating with radiators system - Optionally room fan - Blowing hot air - Adjustable water and room temperature - External room thermostat connection - 5 different power levels
Daily and weekly programme - Expansion vessel, pump, thermostat are inside the stove - Installing inside area

	P20	P25
Fuel	Pellet	Pellet
Nominal Heat Power	19.79 kw	24.84 kw
Efficiency	86.99 %	91.74 %
Flue Exit Pipe	Ø 80 mm	Ø 100 mm
Radiators Pipe Connection	1"	1"
Boiler Water Volume	27 lt	29 lt
Operation Water Pressure	1,5 bar	1,5 bar
Max Radiator	12 m	14 m
Room Fan	Opt.	Opt.



Türkiye



P20 - P25

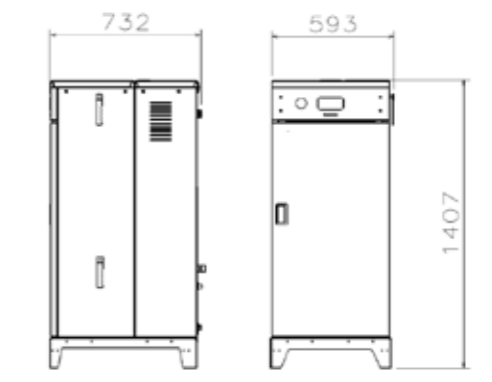
PK 25



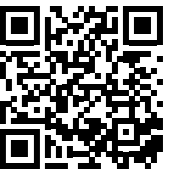
PK 25

Low emissions values - Automatic control system and ignition
- Heating with radiators system - Adjustable water and room temperature
- External room thermostat connection - 5 different power levels
Daily and weekly programme - Expansion vessel, pump, thermostat are inside the stove - Installing outside area

Fuel	Pellet
Nominal Heat Power	21,9 kw
Efficiency	88,5 %
Flue Exit Pipe	Ø 100 mm
Radiators Pipe Connection	1"
Boiler Water Volume	33 lt
Operation Water Pressure	1,5 bar
Max Radiator	14 m
Room Fan	No



Ecodesign
Türkiye





hoşseven

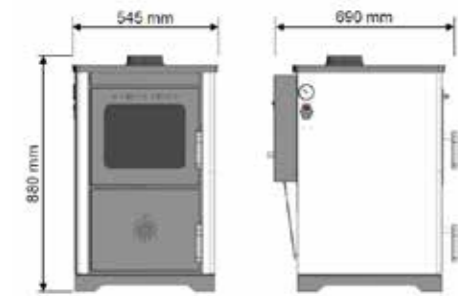




VERA

Mechanical thermostat control
Heating with radiators system
Adjustable primary-secondary air
Glass cleaning
40°C Automatic pump control
Large ashtray box
Big wood loading door
Cookable area top of stove

Fuel	Wood and Coal
Nominal Heat Power	24,92kw
Efficiency	81,56 %
Flue Exit Pipe	Ø 130 mm
Radiators Pipe Connection	1"
Boiler Water Volume	35 lt
Operation Water Pressure	Athmospheric
Max Radiator	10 m



Ecodesign
Türkiye



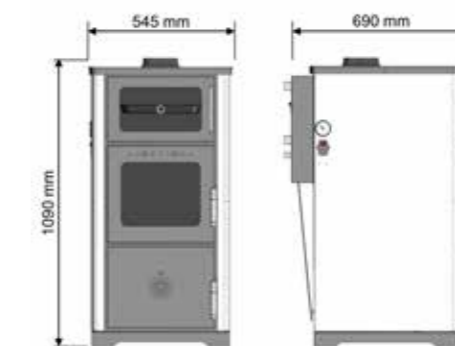
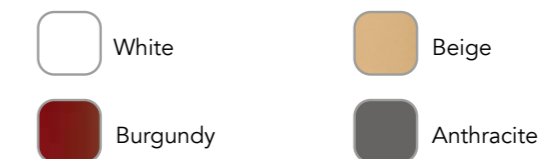
VERA OVEN



VERA OVEN

Mechanical thermostat control
Heating with radiators system
Adjustable primary-secondary air
Glass cleaning
40°C Automatic pump control
Large ashtray box
Big wood loading door
Cookable area top of stove
Large cooking oven

Fuel	Wood and Coal
Nominal Heat Power	24,92 kw
Efficiency	81,56 %
Flue Exit Pipe	Ø 130 mm
Radiators Pipe Connection	1"
Boiler Water Volume	42 lt
Operation Water Pressure	Athmospheric
Max Radiator	10 m
Oven Dimensions	345mm - 170mm - 355mm



Ecodesign

Türkiye

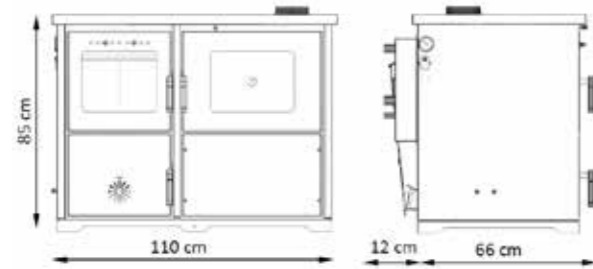




LOTUS HIDRO

Mechanical thermostat control
Heating with radiators system
Adjustable primary-secondary air
Glass cleaning
40°C Automatic pump control
Large ashtray box
Big wood loading door
Cookable area top of stove
Large cooking oven

Fuel	Wood and Coal
Nominal Heat Power	31,67 kw
Efficiency	77,23 %
Flue Exit Pipe	Ø 130 mm
Radiators Pipe Connection	1"
Boiler Water Volume	40 lt
Operation Water Pressure	Athmospheric
Max Radiator	10 m
Oven Dimensions	435mm - 290mm - 505mm



Ecodesign
Türkiye



LOTUS HIDRO



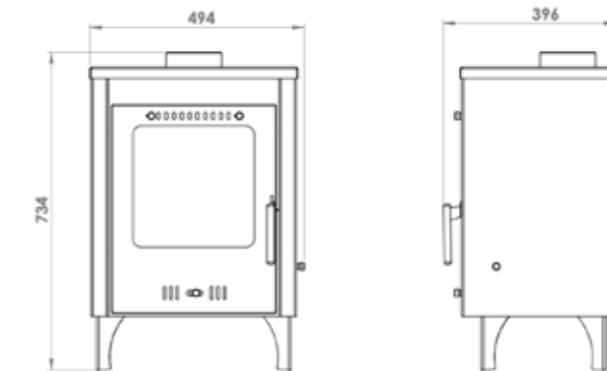
OLYMPUS



5010 OLYMPUS

Adjustable primary – secondary air
Cast iron grate
Wide combustion door window
Large ashtray box
Ash handle
Cast iron combustion chamber
Window cleaning air

Fuel	Wood
Nominal Heat Power	7,78 kw
Efficiency	76,77 %
Flue Exit Pipe	Ø 130mm
Heatable Area	20 – 50 m2

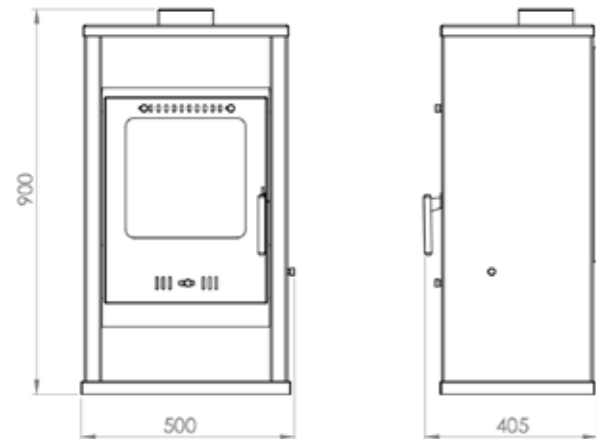




5020 ASSOS

Adjustable primary – secondary air
Cast iron grate
Wide combustion door window
Large ashtray box
Ash handle
Cast iron combustion chamber
Window cleaning air

Fuel	Wood
Nominal Heat Power	7,78 kw
Efficiency	76,77 %
Flue Exit Pipe	Ø 130 mm
Heatable Area	20 – 50 m2



ASSOS
ASSOS

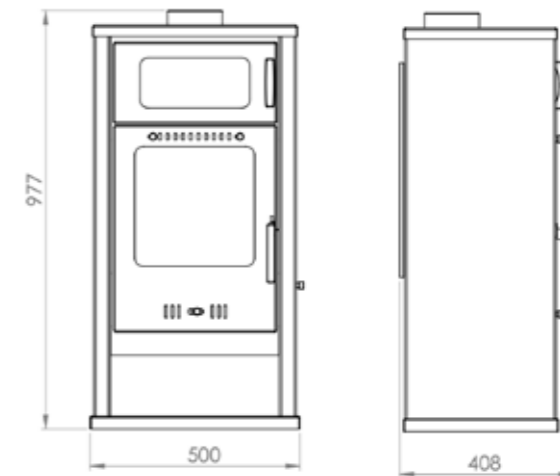
TROY



5025 TROY

Adjustable primary – secondary air
Cast iron grate
Wide combustion door window
Large ashtray box
Ash handle
Cooking oven
Cast iron combustion chamber
Window cleaning air

Fuel	Wood
Nominal Heat Power	7,79 kw
Efficiency	76,81 %
Flue Exit Pipe	Ø 130 mm
Oven Dimensions	335mm - 160mm - 320mm
Heatable Area	20 – 50 m ²




Ecodesign
Türkiye





5055 DENICE

Adjustable primary – secondary air
Cast iron grate
Wide combustion door window
Large ashtray box
Ash handle
Cast iron combustion chamber
Window cleaning air

Fuel	Wood
Nominal Heat Power	7,78 kw
Efficiency	76,77 %
Flue Exit Pipe	Ø 130 mm
Heatable Area	20 – 50 m2



Ecodesign

Türkiye



5055 DENICE

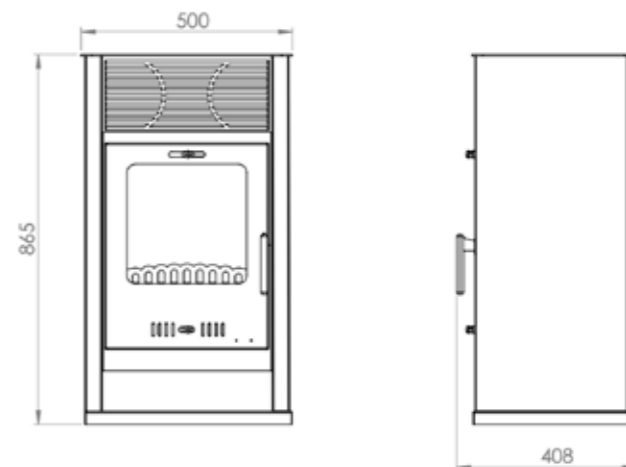
RENZEM



5050 CELINE

Adjustable primary – secondary air
Cast iron grate
Wide combustion door window
Large ashtray box
Ash handle
Cast iron combustion chamber
Window cleaning air

Fuel	Wood
Nominal Heat Power	7,78 kw
Efficiency	76,77 %
Flue Exit Pipe	Ø 130 mm
Heatable Area	20 – 50 m2



Ecodesign

Türkiye

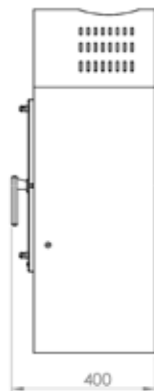
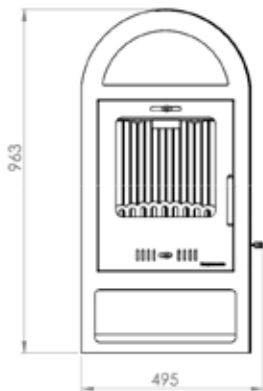




5035 EFES CLASSIC

Adjustable primary – secondary air
Cast iron grate
Wide combustion door window
Large ashtray box
Ash handle
Cast iron combustion chamber
Window cleaning air

Fuel	Wood
Nominal Heat Power	7,78 kw
Efficiency	76,77 %
Flue Exit Pipe	Ø 130 mm
Heatable Area	20 – 50 m2



Ecodesign

Türkiye



EFES CLASSIC

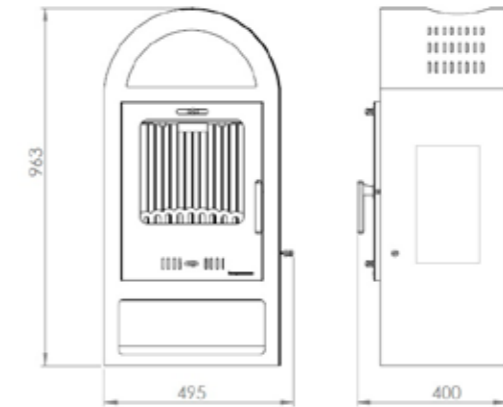
EFES CERAMIC



5030 EFES CERAMIC

Adjustable primary – secondary air
Cast iron grate
Wide combustion door window
Large ashtray box
Ash handle
Cast iron combustion chamber
Window cleaning air

Fuel	Wood
Nominal Heat Power	7,78 kw
Efficiency	76,77 %
Flue Exit Pipe	Ø 130 mm
Heatable Area	20 – 50 m2



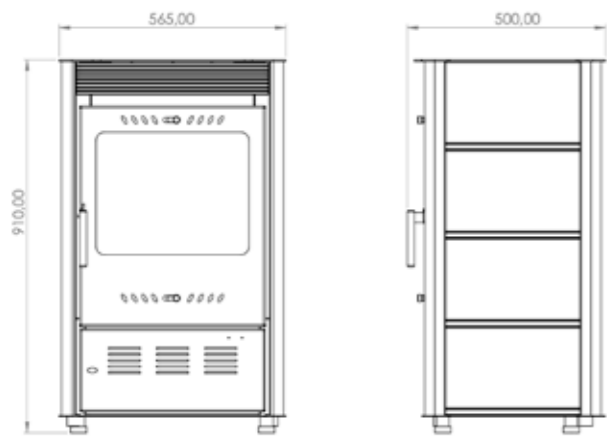


5060 ROSE

Adjustable primary - secondary air
Cast iron grate
Wide combustion door window
Large ashtray box
Firebrick combustion chamber
Window cleaning air

Fuel	Wood
Nominal Heat Power	7,78 kw
Efficiency	76,77 %aa
Flue Exit Pipe	Ø 130 mm
Heatable Area	20 – 50 m2

 Burgundy  Anthracite



Ecodesign
Türkiye



ROSE

ROSE OVEN



5065 ROSE OVEN

- Adjustable primary - secondary air
- Cast iron grate
- Wide combustion door window
- Cooking oven
- Large ashtray box
- Firebrick combustion chamber
- Window cleaning air

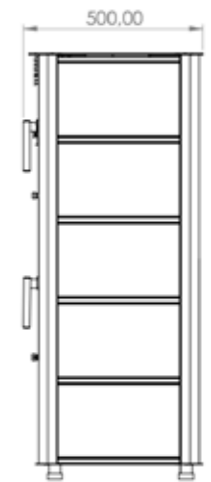
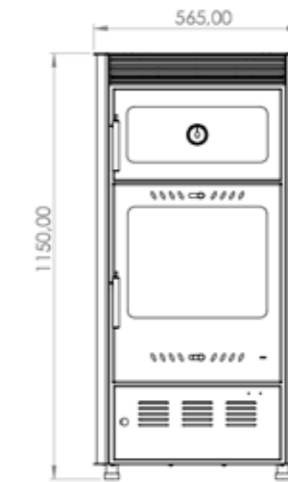
Fuel	Wood
Nominal Heat Power	7.78 kw
Efficiency	76.77 %
Flue Exit Pipe	Ø 130 mm
Oven Dimensions	490mm - 190mm - 370mm
Heatable Area	20 - 50 m ²



Burgundy



Anthracite



Ecodesign

Türkiye



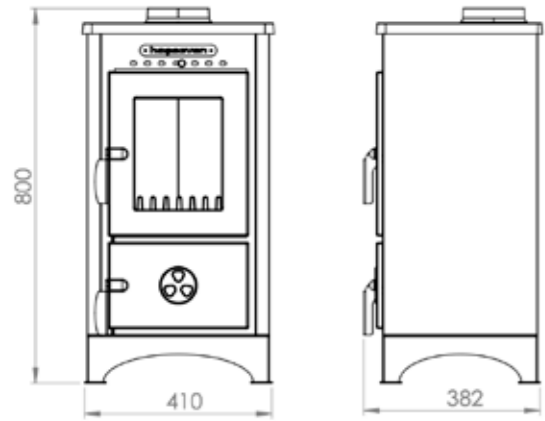


9008 MINI

Adjustable primary - secondary air
Cast iron grate
Wide combustion door window
Large ashtray box
Firebrick combustion chamber
Window cleaning air
Enamelled surfaces

Fuel	Wood
Nominal Heat Power	7,09 kw
Efficiency	78,68 %
Flue Exit Pipe	Ø 130 mm
Heatable Area	20 – 40 m ²

 Burgundy  Anthracite  Beige



Türkiye



MINI
9008

90008 MAXI



9008 MAXI

Adjustable primary - secondary air
Cast iron grate
Wide combustion door window
Large ashtray box
Firebrick combustion chamber
Window cleaning air
Enamelled surfaces

Fuel	Wood
Nominal Heat Power	7,09 kw
Efficiency	78,68 %
Flue Exit Pipe	Ø 130 mm
Heatable Area	20 – 40 m2



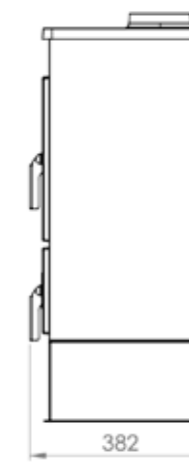
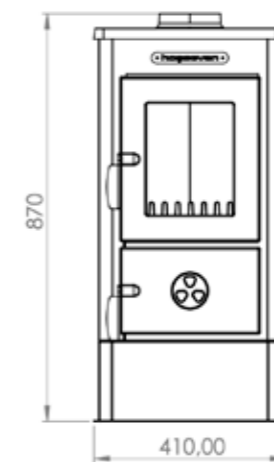
Burgundy



Anthracite



Beige



Ecodesign

Türkiye

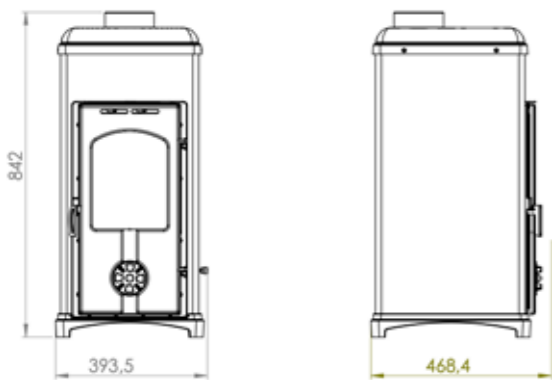




9005

Adjustable primary – secondary air
Tertiary air
Cast iron grate
Wide combustion door window
Large ashtray box
Ash handle
Cast iron combustion chamber
Window cleaning air
Enamelled surfaces

Fuel	Wood
Nominal Heat Power	6,3 kw
Efficiency	81,9 %
Flue Exit Pipe	Ø 130 mm
Heatable Area	20 – 40 m2



Türkiye



7000



7000

- Adjustable primary – secondary air
- Tertiary air
- Cast iron grate
- Oval surfaces
- Wide oval combustion door window
- Large ashtray box
- Vermiculite combustion chamber
- Window cleaning air

Fuel	Wood
Nominal Heat Power	8,68 kw
Efficiency	80,21 %
Flue Exit Pipe	Ø 130 mm
Heatable Area	20 – 65 m ²

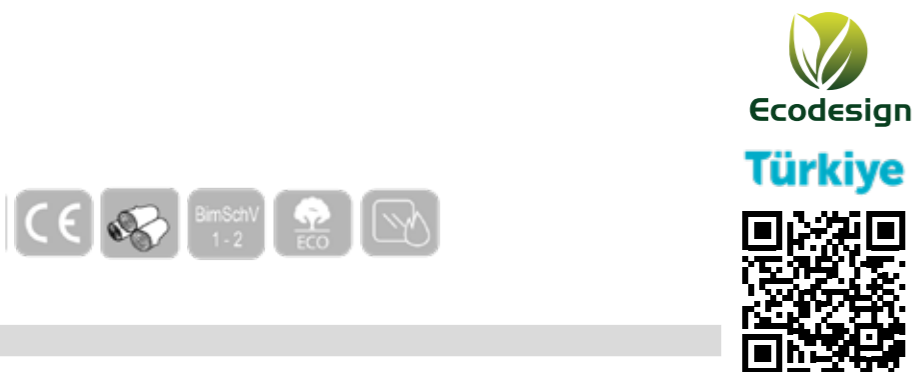
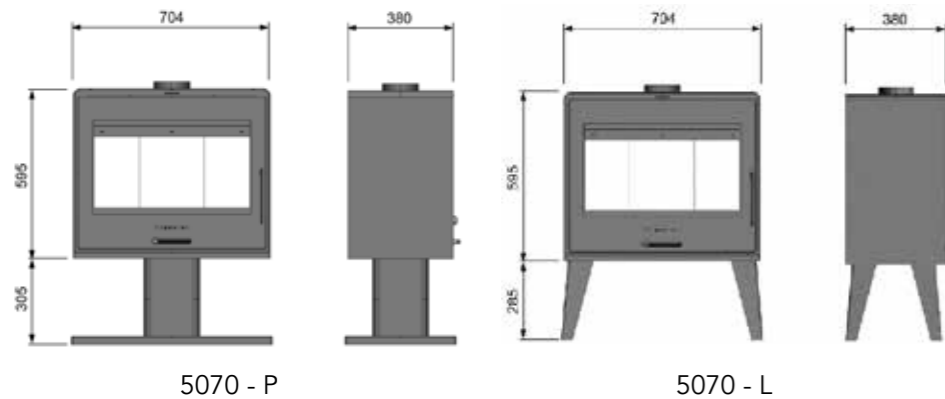




5070

Adjustable primary – secondary – tertiary air
Cast iron grate
Wide combustion door window
Large ashtray box
Cast iron or firebrick combustion chamber
Window cleaning air

Fuel	Wood
Nominal Heat Power	10.05 kw
Efficiency	82,03 %
Flue Exit Pipe	Ø 130 mm
Heatable Area	20 – 65 m ²



5070

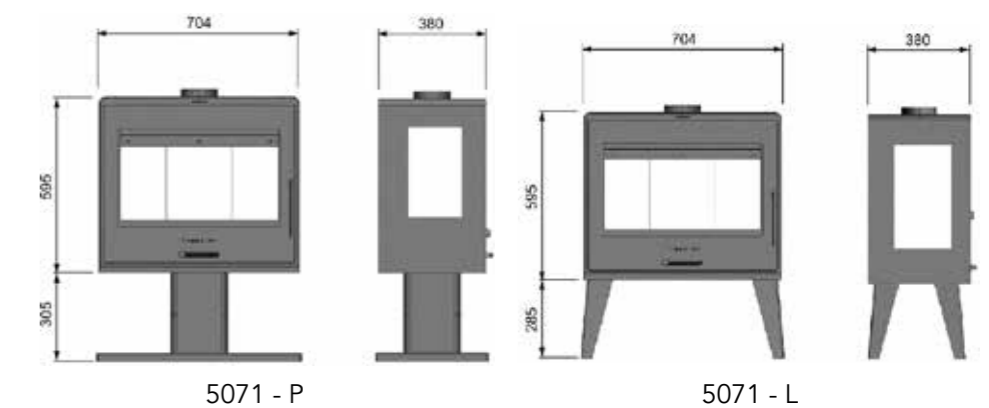
5071



5071

Adjustable primary – secondary – tertiary air
Cast iron grate
Wide combustion door window
Left and right sides window
Large ashtray box
Cast iron or firebrick combustion chamber
Window cleaning air

Fuel	Wood
Nominal Heat Power	10,05 kw
Efficiency	82,03 %
Flue Exit Pipe	Ø 130 mm
Heatable Area	20 – 65 m2

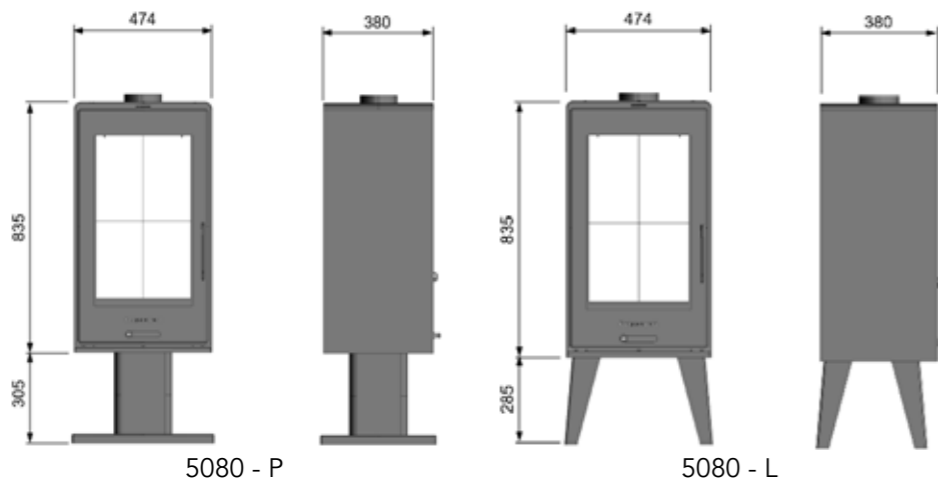




5080

Adjustable primary – secondary – tertiary air
Cast iron grate
Wide combustion door window
Large ashtray box
Cast iron or firebrick combustion chamber
Window cleaning air

Fuel	Wood
Nominal Heat Power	10,05 kw
Efficiency	82,03 %
Flue Exit Pipe	Ø 130 mm
Heatable Area	20 – 65 m ²



5080

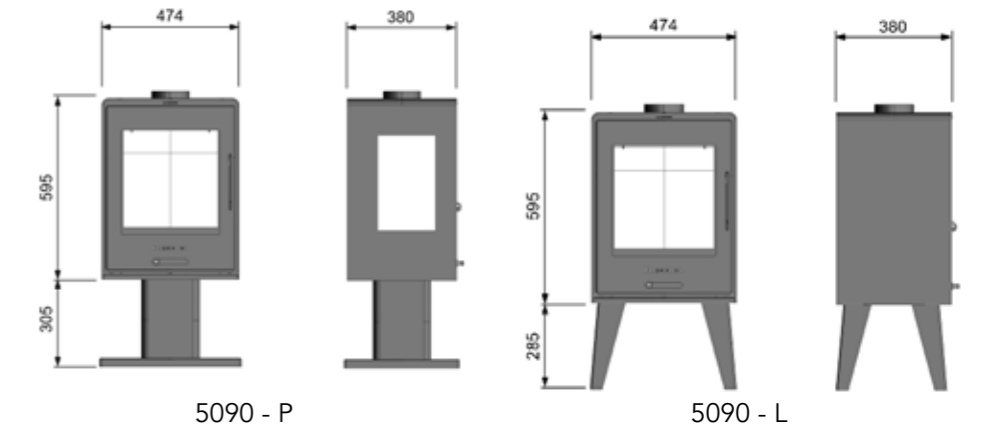
5090



5090

- Adjustable primary – secondary – tertiary air
- Cast iron grate
- Wide combustion door window
- Large ashtray box
- Cast iron or firebrick combustion chamber
- Window cleaning air

Fuel	Wood
Nominal Heat Power	6,5 kw
Efficiency	82,03 %
Flue Exit Pipe	Ø 130 mm
Heatable Area	20 – 40 m ²

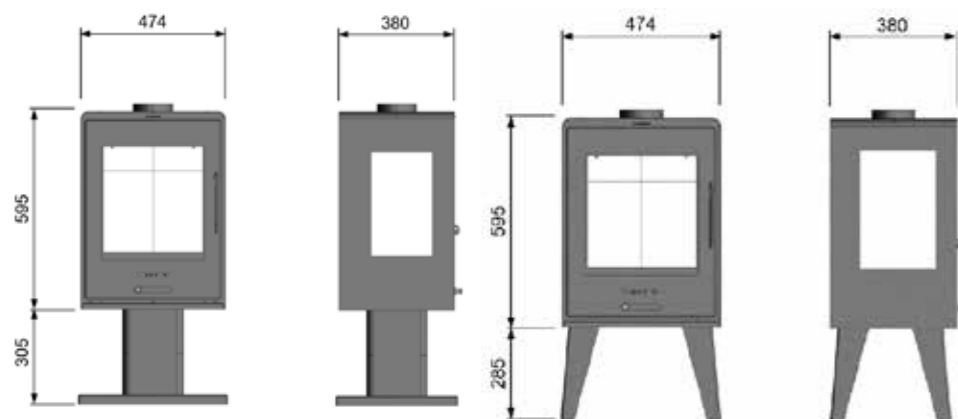




5091

Adjustable primary – secondary – tertiary air
Cast iron grate
Wide combustion door window
Left and right sides window
Large ashtray box
Cast iron or firebrick combustion chamber
Window cleaning air

Fuel	Wood
Nominal Heat Power	6,5 kw
Efficiency	82,03 %
Flue Exit Pipe	Ø 130 mm
Heatable Area	20 – 40 m2



5091 - P

5091 - L



1605

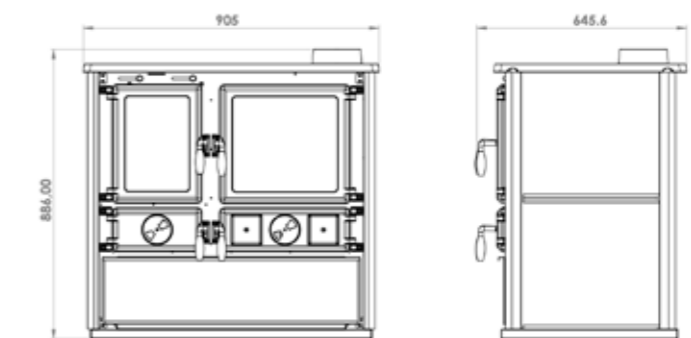
4035



4035

Adjustable primary – secondary air
Tertiary air
Cast iron grate
Wide combustion door window
Large ashtray box
Large cooking oven
Cast iron combustion chamber
Window cleaning air
Enamelled surfaces

Fuel	Wood
Nominal Heat Power	8,4 kw
Efficiency	87,1 %
Flue Exit Pipe	Ø 130 mm
Oven Dimensions	330mm - 300mm - 410mm
Heatable Area	20 – 65 m2

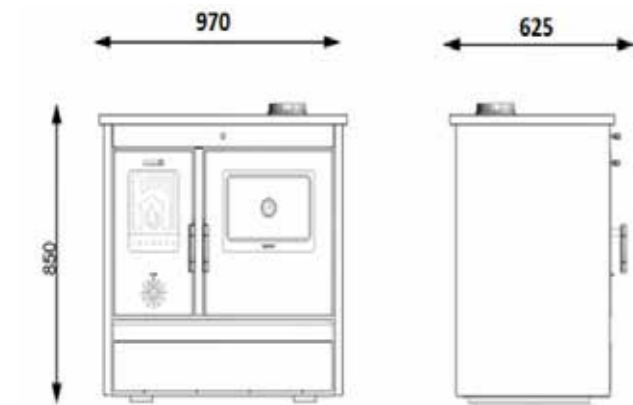




4050 LOTUS CLASSIC

Adjustable primary – secondary air
Cast iron grate
Wide combustion door window
Large ashtray box
Large cooking oven
Cast iron or firebrick combustion chamber
Window cleaning air
Enamelled surfaces

Fuel	Wood
Nominal Heat Power	11,91 kw
Efficiency	84,39 %
Flue Exit Pipe	Ø 130 mm
Heatable Area	20 – 80 m ²
Oven Dimensions	440mm - 320mm - 470mm



LOTUS CLASSIC

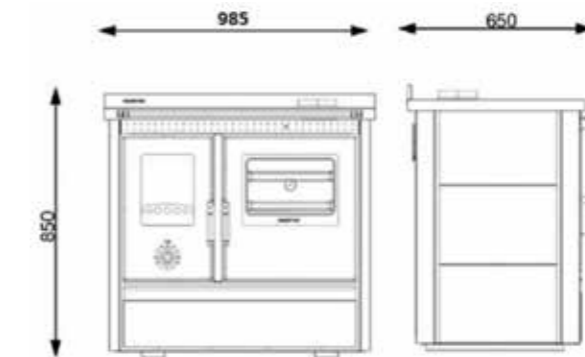
LOTUS INOX



4050 LOTUS INOX

Adjustable primary – secondary air
Cast iron grate
Wide combustion door window
Large ashtray box
Large cooking oven
Cast iron or firebrick combustion chamber
Window cleaning air
Enamelled surfaces

Fuel	Wood
Nominal Heat Power	11,91 kw
Efficiency	84,39 %
Flue Exit Pipe	Ø 130 mm
Heatable Area	20 – 80 m ²
Oven Dimensions	440mm - 320mm - 420mm





4010

Cast iron grate
Large ashtray
Large cooking oven
Firebrick combustion chamber
Enameled surfaces

Fuel	Wood
Nominal Heat Power	7,90 kw
Efficiency	81,45 %
Flue Exit Pipe	Ø 130 mm
Oven Dimensions	470mm - 250mm - 420mm
Heatable Area	20 – 50 m2



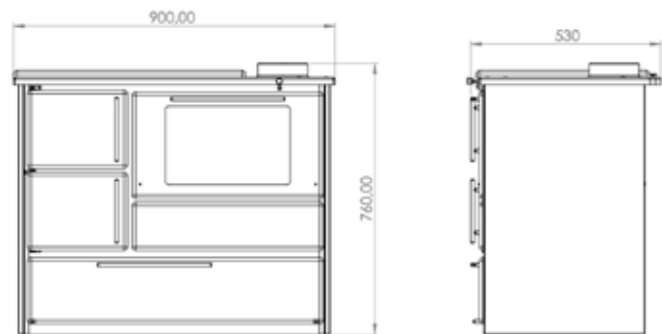
Anthracite



Brown



Majolic



Türkiye



4010

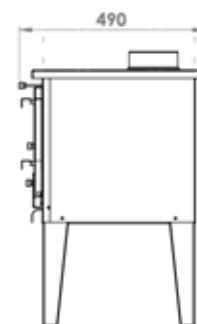
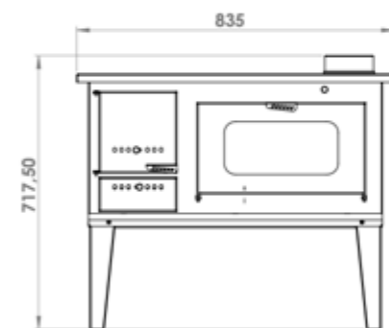
4014



4014

- Cast iron grate
- Large ashtray
- Large cooking oven
- Firebrick combustion chamber
- Combustion door with window or without window optionally

Fuel	Wood
Nominal Heat Power	7.90 kw
Efficiency	81.45 %
Flue Exit Pipe	Ø 130 mm
Oven Dimensions	415mm - 174mm - 400mm
Heatable Area	20 - 50 m ²

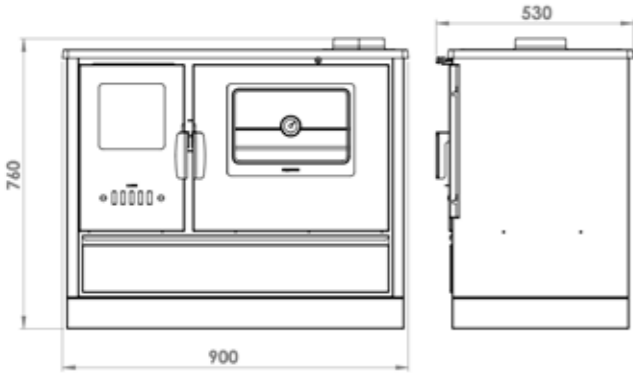
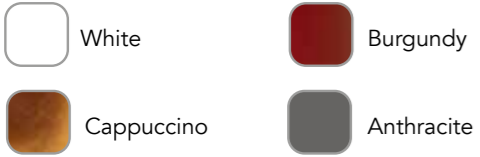




4020

Adjustable primary – secondary air
Cast iron grate
Wide combustion door window
Large ashtray box
Large cooking oven
Cast iron or firebrick combustion chamber
Window cleaning air
Enamelled surfaces

Fuel	Wood
Nominal Heat Power	7,90 kw
Efficiency	81,45 %
Flue Exit Pipe	Ø 130 mm
Oven Dimensions	450mm - 290mm - 450mm
Heatable Area	20 – 50 m2



Türkiye



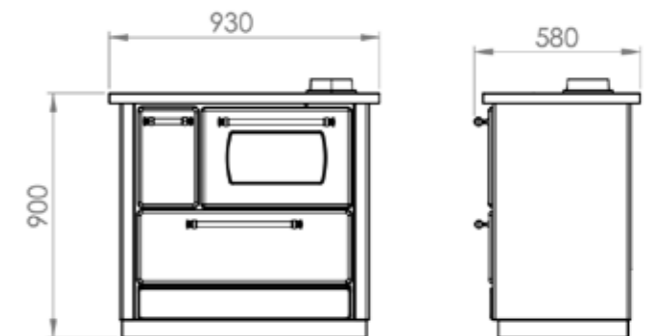
4040 ANATOLIA



4040 ANATOLIA

Cast iron grate
Large ashtray
Large cooking oven
Cast iron combustion chamber
Enameled surfaces

Yakıt / Fuel	Wood
Isı kapasitesi / Nominal Heat Power	7.90 kw
Verim / Efficiency	81.45 %
Baca Bağlantı Çapı / Flue Exit Pipe	Ø 130 mm
Fırın ölçüleri / Oven Dimensions	470mm - 250mm - 420mm
Isıtma alanı / Heatable Area	20 - 50 m2

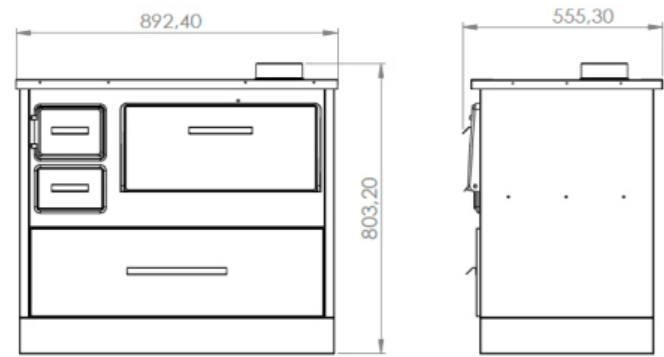




4015

Cast iron grate
Large ashtray
Large cooking oven
Firebrick combustion chamber
Enameled surfaces

Fuel	Wood
Nominal Heat Power	7,90 kw
Efficiency	81,45 %
Flue Exit Pipe	Ø 130 mm
Oven Dimensions	551mm - 200mm - 485mm
Heatable Area	20 – 50 m2



Türkiye



4015

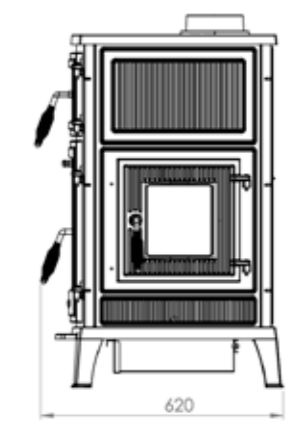
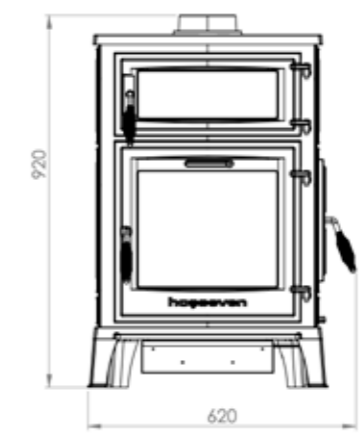
8000



8000

- Adjustable primary – secondary air
- Totally casting iron surfaces
- Wide combustion door window
- Left and right sides window
- Large ashtray box
- Large cooking oven
- Window cleaning air

Fuel	Wood and Coal
Nominal Heat Power	13 kw
Efficiency	76.77 %
Flue Exit Pipe	Ø 130 mm
Oven Dimensions	420mm - 150mm - 480mm
Heatable Area	30 – 80 m2



Türkiye





hoşseven



hosseven

Barakfakih Mahallesi 10. Cadde No:2 16450 Kestel / Bursa / Türkiye

Tel : +90 224 384 11 10 pbx / info@hosseven.com.tr

www.hosseven.com.tr

